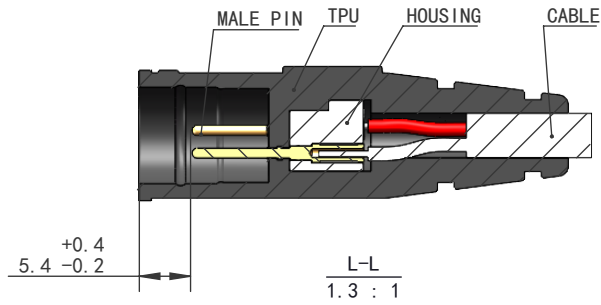
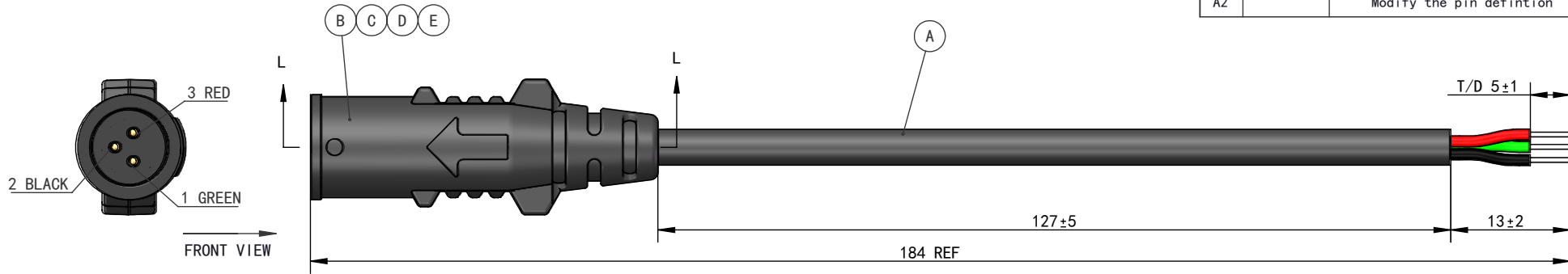


REV.	ECO. NO.	DESCRIPTION	DATE
A0		First Edition	2025. 05. 28
A1		CABLE CHANGE	2025. 12. 12
A2		Modify the pin defintion	2026. 01. 27



FROM	COLOR	T0	LENGTH
B-1	GREEN	T/D	169 ± 2
B-2	BLACK	T/D	
B-3	RED	T/D	

NOTES:

1. Mechanical Performance:
 - 1.1 Crimp Pull-off force acc. to UL486A
 - 1.2 Strain Relief Rating:20 Pounds
2. Electrical performancea:
 - 2.1 100% Open, Short & Mis-wire Test,
Conductor Resistance 3Ω Max ,
Insulation Resistance 20MΩMin, DC 300V/0.01s
3. Environmental Performance:
 - 3.1 Waterproff level:IP68
4. Environmental protection:
 - 4.1 All materials are RoHS compliant.
5. Other:
 - 5.1 Assembly acc. to IPC-WHMA-A-620

E	Q-SM0000001		Color Master Black	0.2g		
D	TPUHB95NC00		Molding Material:TPU 95A Color:Nature	10g		
C	ERP10001750		MALE PIN Material:BRASS Plated Au 5 μ"min.Ni over 50~100 μ" overall.	3	SOLDERBAR01	0.15g
B	8034B030000		HOUSING Material:TPU+30%GF Color:Black	1	Q-PAPER0001	1/50
A	30N2054922F		CABLE UL20549 22AWG*3C(Green, Red, Black) OD=4.5mm TPU Color:Black	1	PB23X150008	1/300
ITEM	PART NO.	MFG	DESCRIPTION	Q'TY	NCARTON0600	1/1200
MATERIAL SPECIFICATION				PACKING		

LEOCO P/N:	JWY605UAW21	LEOCO CORPORATION				
SALE'S:	Milano 26.03.27	TITLE: AMR III FEMALE				
APPROVED:	Rose 26.03.27	CUST P/N:		DRAWING NO.		
CHECKED:	Susan 26.03.27	CUST CODE:		JAW2111		
DRAWN:	Nina 26.03.27	010605	UNITS: mm	SIZE: A4	SHEET: 1/1	REV: A2
		THIRD ANGLE PROJECTION				

*. This Drawing is the property of Leoco, It must not be traded, copied or reproduced in any form without an explicit written permission issued by Leoco